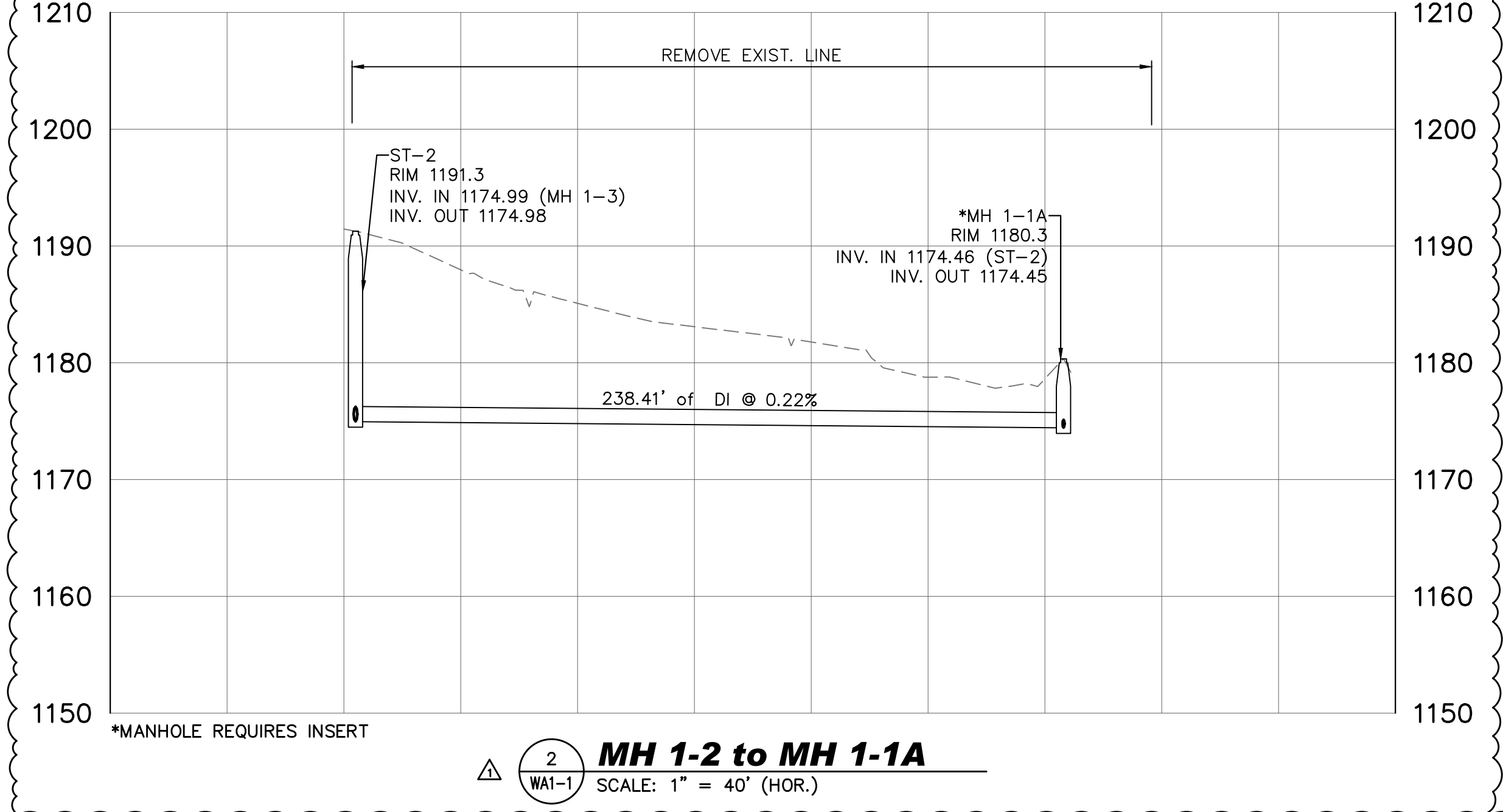


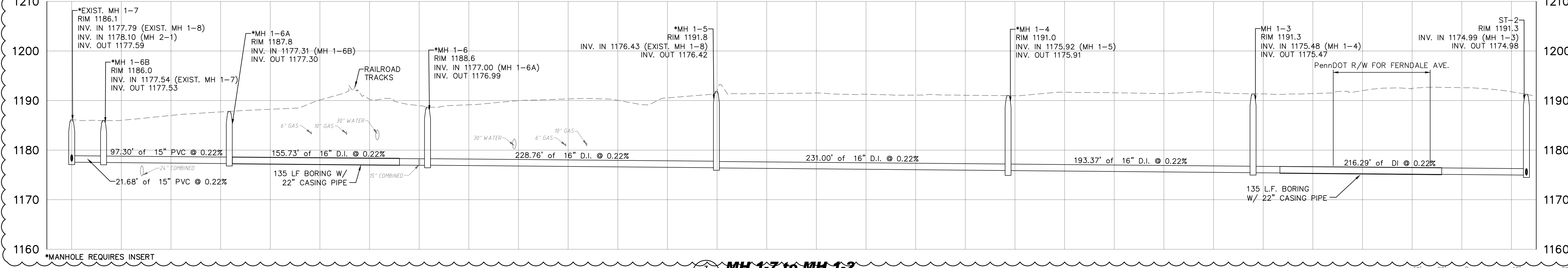
1 **PLAN**
 WAI-1 SCALE: 1" = 40' (HOR.)

SEWER LOCATIONS		
MANHOLE/ CLEANOUT	COORDINATES	
	NORTH	EAST
MH 1-1A	352269.21	1642246.20
MH 1-2	352028.63	1642275.92
MH 1-3	351825.20	1642360.44
MH 1-4	351647.74	1642446.82
MH 1-5	351490.50	1642621.46
MH 1-6	351338.45	1642797.68
MH 1-6A	351210.75	1642701.72
MH 1-6B	351129.72	1642640.94
MH 1-7	351106.38	1642651.64

TEST PIT LOCATIONS		
TEST PIT	COORDINATES	
	NORTH	EAST
TP-1A	351382.58	1642746.25
TP-1B	351371.43	1642758.31
TP-1C	351360.83	1642771.03



2 **MH 1-2 to MH 1-1A**
 WAI-1 SCALE: 1" = 40' (HOR.)



3 **MH 1-7 to MH 1-2**
 WAI-1 SCALE: 1" = 40' (HOR.)

NOTE:
 CONTRACTOR SHALL INSTALL NEW LATERALS
 ON THE NEW SANITARY SEWER LINE AND
 MAKE THE CONNECTIONS TO EXIST.
 LATERALS WITH A FERNCO COUPLER OR
 APPROVED EQUAL

CJL ENGINEERING

Pittsburgh
 1555 Coraopolis Heights Road, #4200
 Moon Township, PA 15108
 ph:(412)262-1220 fax:(412)262-2972

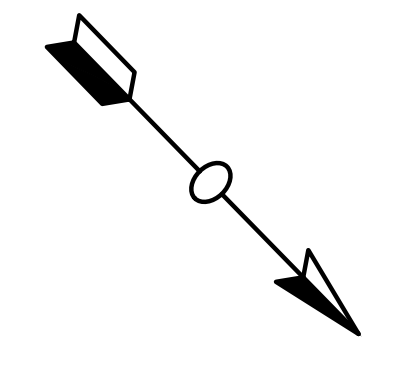
Johnstown
 232 Horner Street
 Johnstown, PA 15900-1825
 ph:(412)508-1851 fax:(412)508-0752

Youngstown
 Youngstown Office
 510 Gray Lane, Suite 105
 Youngstown, OH 44504
 ph:(330)746-1360 fax:(330)746-7000

Seal

BOROUGH OF FERNDALE
 109 Station Street
 Johnstown, PA

SANITARY SEWER SEPARATION PROJECT



Rev.	Description	Date
Δ	DEP Review comments	03-31-11
Δ	Alignment Revision	04-27-11

Date Issued: 09-13-2011

Sheet Title
Work Area 1 Contract 1

Profiles
MH 1-1A to MH 1-7

Sheet Number
WA1-1

CJL Project Number: 08-379