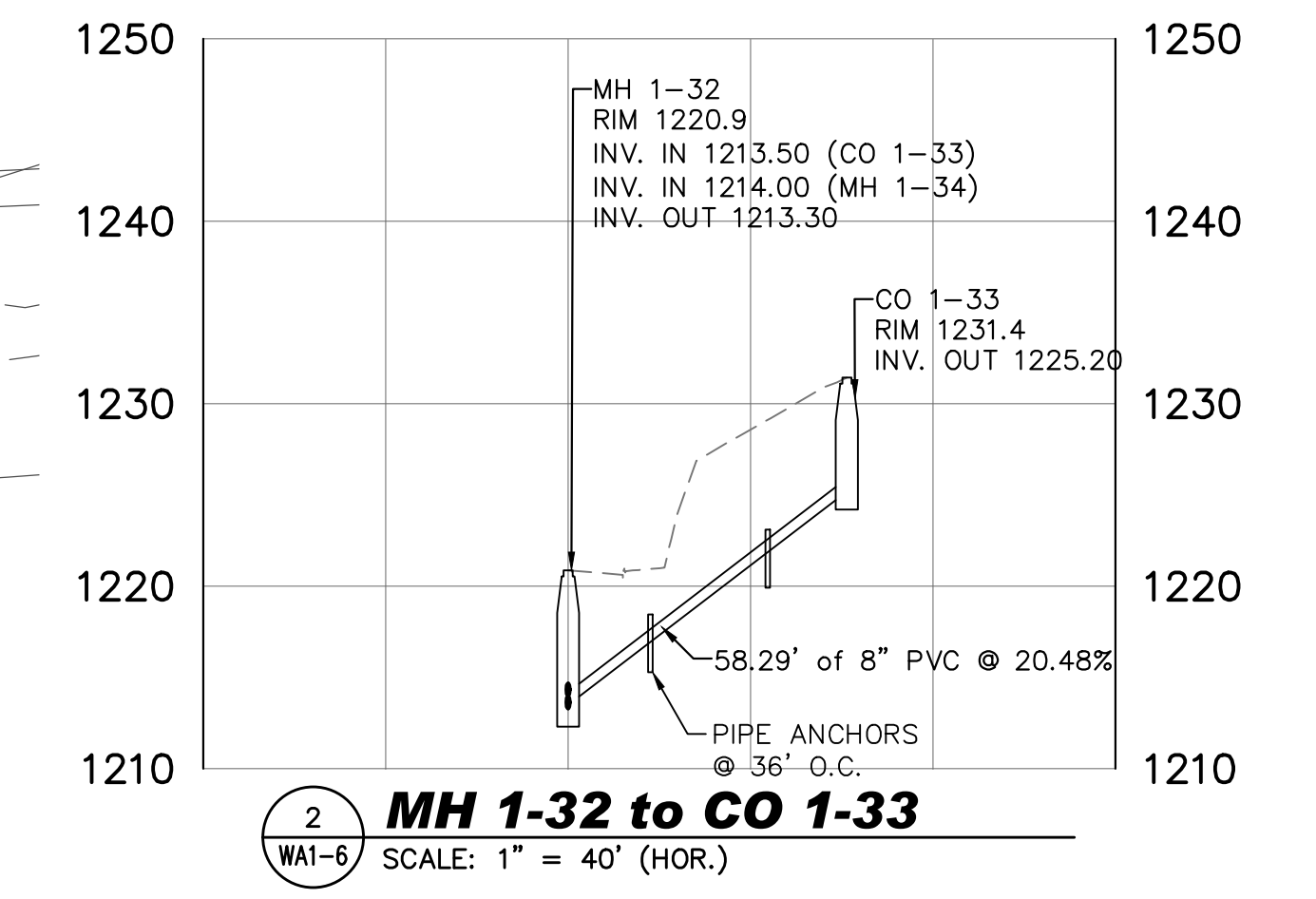
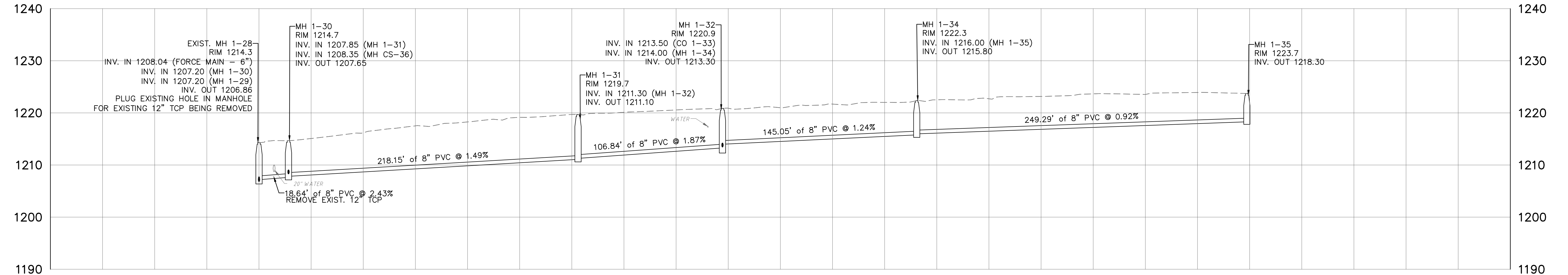


MANHOLE/ CLEANOUT	COORDINATES	
	NORTH	EAST
MH 1-25	348735.88	1643968.23
MH 1-26	348575.85	1643886.71
MH 1-27	348430.07	1643683.20
MH 1-28	348367.82	1643429.48
MH 1-29	348386.88	1643298.27
MH 1-30	348390.23	1643426.44
MH 1-31	348448.14	1643640.87
MH 1-32	348504.95	1643736.02
CO 1-33	348556.15	1643702.66
MH 1-34	348607.32	1649844.32
MH 1-35	348829.94	1643695.10

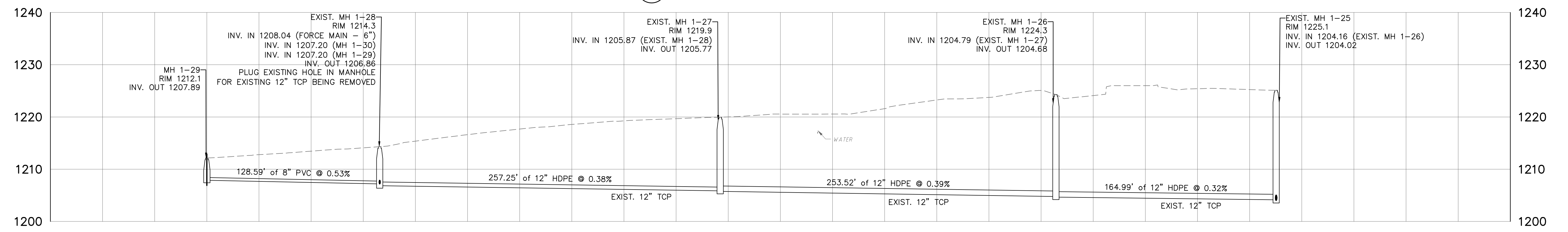
1 **PLAN**  
WAI-6 SCALE: 1" = 40' (HOR.)



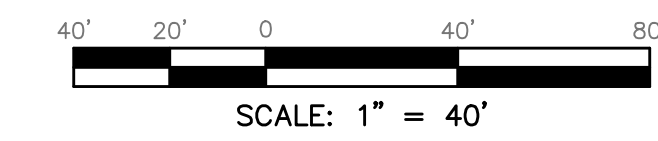
2 **MH 1-32 to CO 1-33**  
WAI-6 SCALE: 1" = 40' (HOR.)



3 **MH 1-28 to CO 1-35**  
WAI-6 SCALE: 1" = 40' (HOR.)



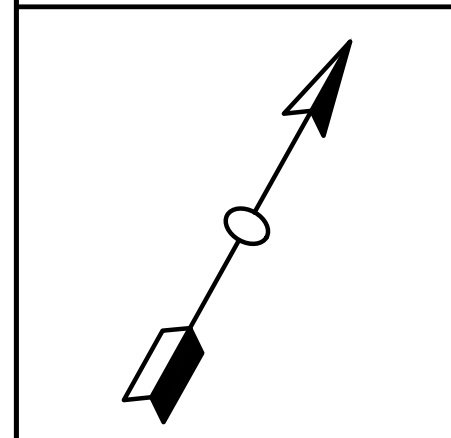
4 **CO 1-29 to MH 1-25**  
WAI-6 SCALE: 1" = 40' (HOR.)



**CJL ENGINEERING**  
 Pittsburgh 1555 Conestoga Heights Road, #4200 Moon Township, PA 15108 ph:(412)962-1220 fax:(412)962-2972  
 Johnstown 232 Horner Street Johnstown, PA 15902-1822 ph:(412)962-1851 fax:(412)962-0722  
 Youngstown Youngstown Office 510 Gyrgy Lane, Suite 105 Youngstown, OH 44504 ph:(330)746-1360 fax:(330)746-7000

BOROUGH OF FERNDALE  
 109 Station Street  
 Johnstown, PA

SANITARY SEWER SEPARATION PROJECT



Rev.	Description	Date

Date Issued: 09-19-2011

Sheet Title  
**Work Area 1  
 Contract 1**

Plan & Profiles

MH 1-25  
 to  
 MH 1-35

Sheet Number  
**WA1-6**